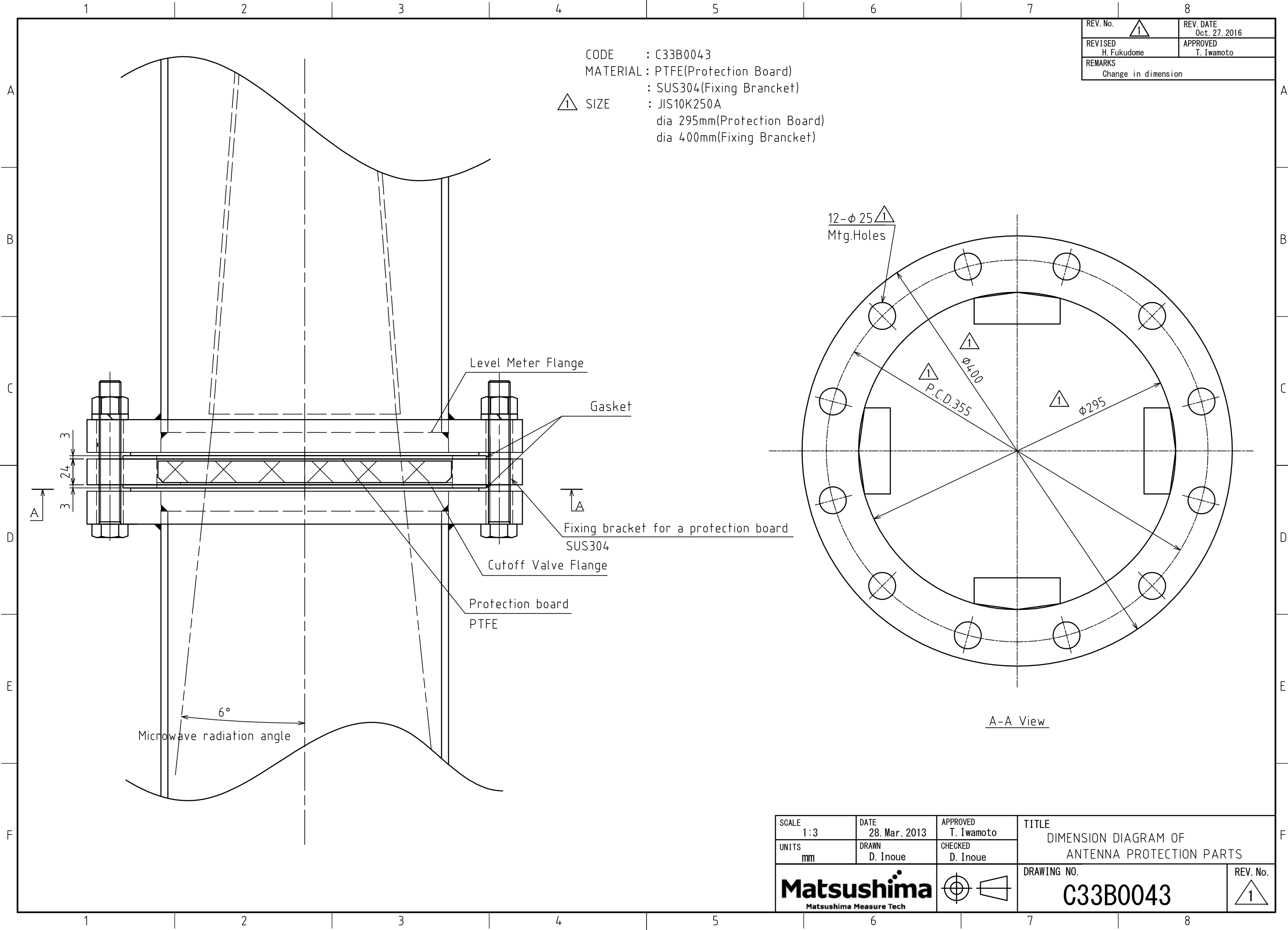


REV. No.	△ 1	REV. DATE	Oct. 27. 2016
REVISED	H. Fukudome	APPROVED	T. Iwamoto
REMARKS			
Change in dimension			

CODE : C33B0043  
MATERIAL : PTFE(Protection Board)  
: SUS304(Fixing Bracket)  
△ SIZE : JIS10K250A  
dia 295mm(Protection Board)  
dia 400mm(Fixing Bracket)



SCALE	DATE	APPROVED	TITLE
1:3	28. Mar. 2013	T. Iwamoto	
UNITS	DRAWN	CHECKED	DRAWING NO.
mm	D. Inoue	D. Inoue	
			REV. No.
			△ 1

DIMENSION DIAGRAM OF  
ANTENNA PROTECTION PARTS

C33B0043