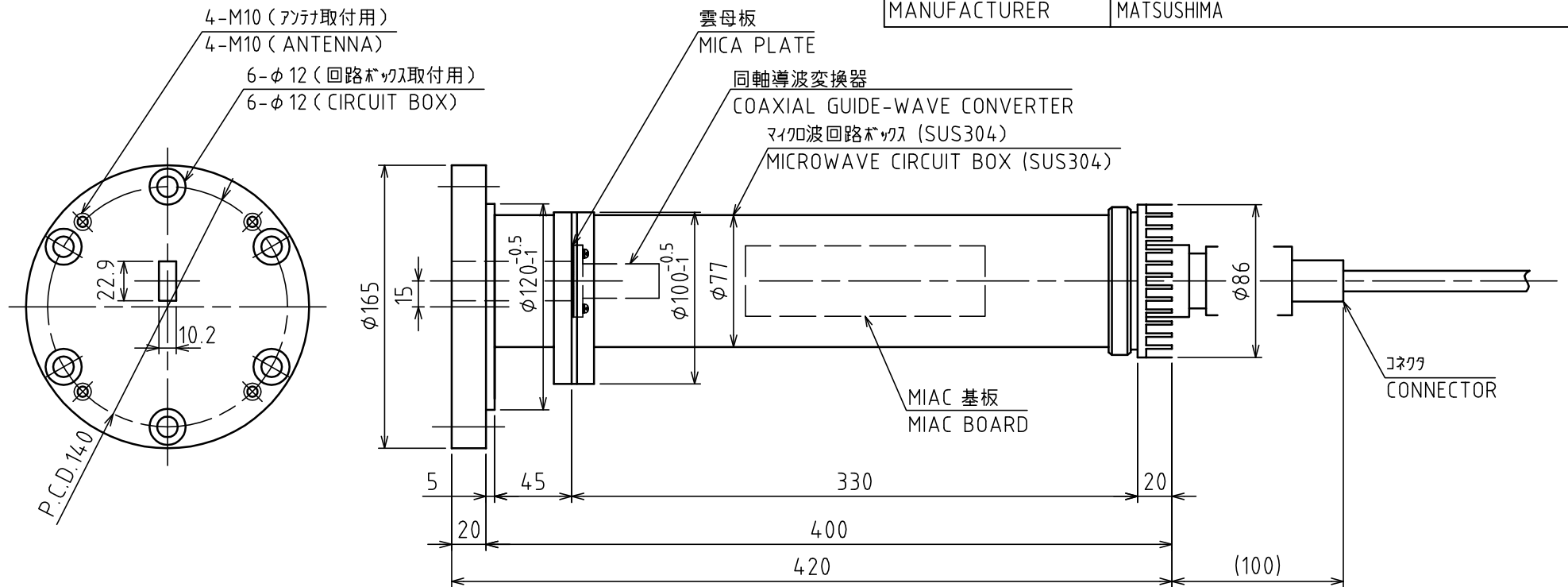


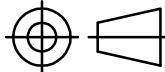

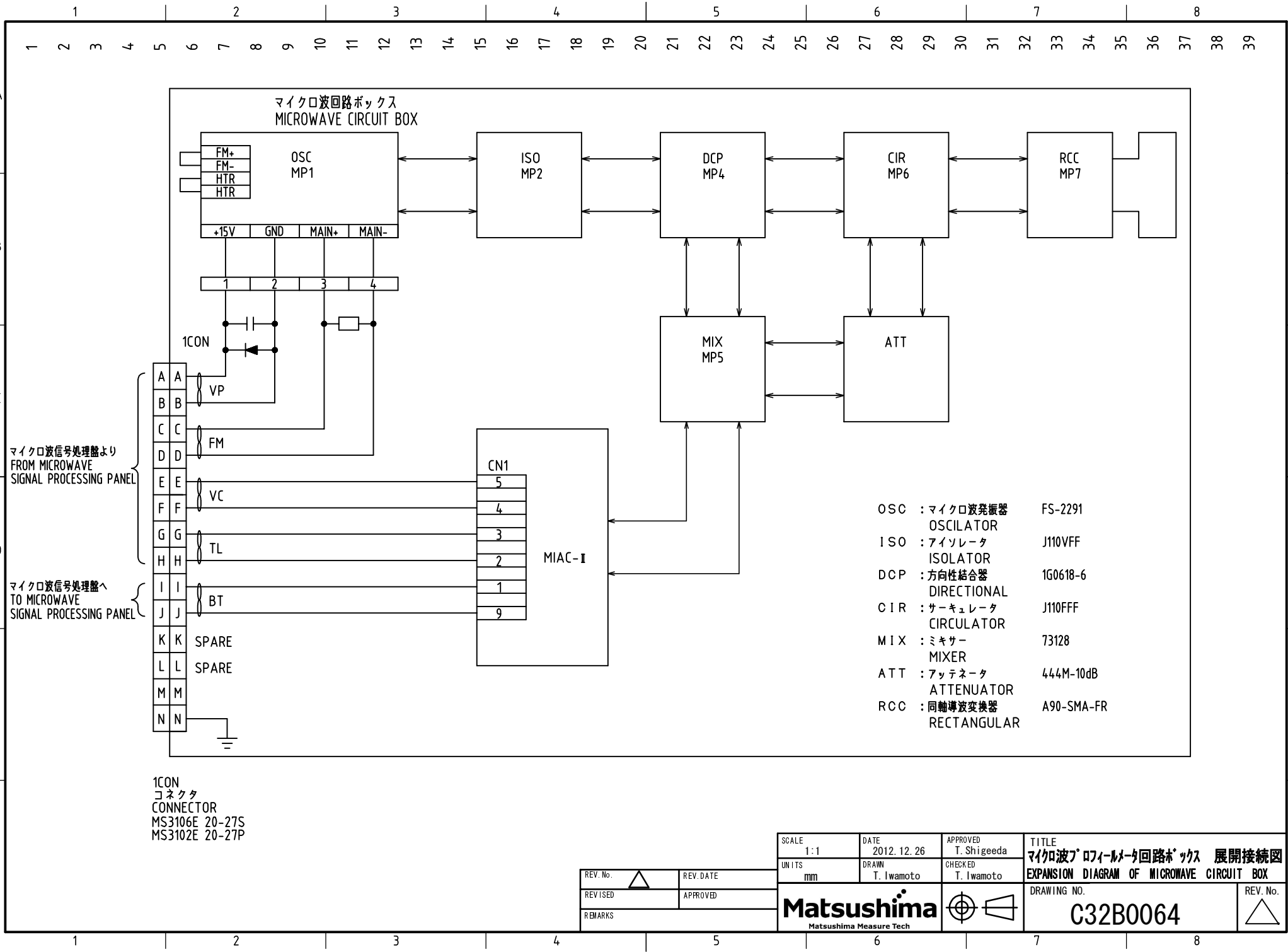


NAME OF PRODUCT	MICROWAVE CIRCUIT BOX
TYPE	TDW-MF1P-Q
CONNECT	FLANGE MOUNTED TYPE, INSTALLED INSIDE OF LANCE PIPE
CONFIGURATION	MICROWAVE OSCILLATOR, TEMPERATURE SENSOR MICROWAVE MIXING AMPLIFIER CIRCUIT
MATERIAL	SUS304
PAINTING COLOR	-
MASS	APPROX. 7.5kg
MANUFACTURER	MATSUSHIMA



改版番号 REV. No. 	変更日付 REV. DATE 2012. 12. 26	SCALE 1:3.5	DATE Oct. 27, 2008	APPROVED H. Shigeeda	TITLE マイクロ波回路ボックス(偏芯型) 外形図 DIMENSION DIAGRAM OF MICROWAVE CIRCUIT BOX	
変更者 REVISED T. Iwamoto	承認 APPROVED T. Shigeeda	UNITS mm	DRAWN T. Iwamoto	CHECKED K. Ishii		
内容 REMARKS 全体見直し					DRAWING NO. C41B0083	REV. No. 



REV. No.	△	REV. DATE		SCALE	1:1	DATE	2012. 12. 26	APPROVED	T. Shigeeda	TITLE	マイクロ波プロファイル回路ボックス 展開接続図
REVISED		APPROVED		UNITS	mm	DRAWN	T. Iwamoto	CHECKED	T. Iwamoto	EXPANSION DIAGRAM OF MICROWAVE CIRCUIT BOX	
REMARKS				Matsushima Matsushima Measure Tech						DRAWING No.	C32B0064
										REV. No.	△