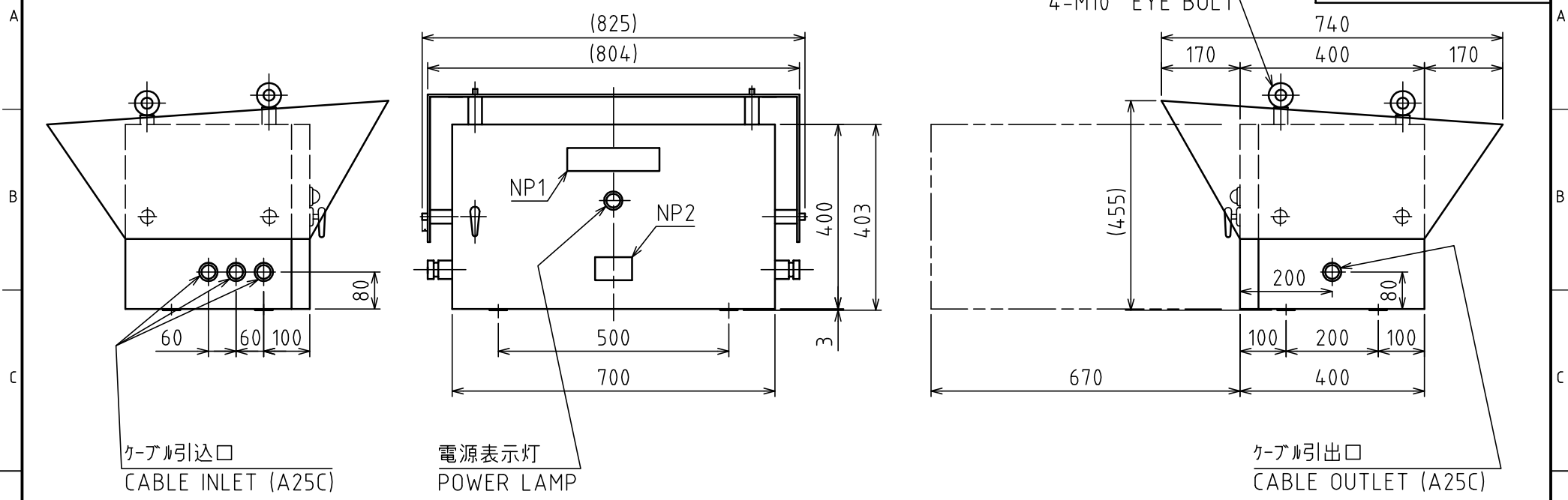


1 2 3 4 5 6 7 8

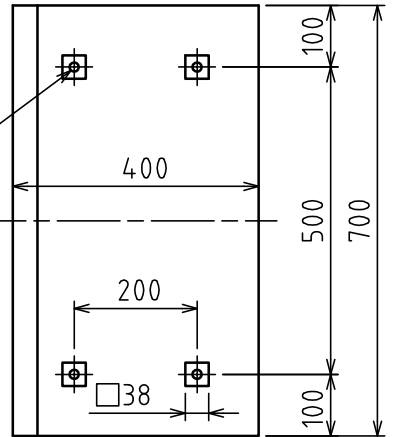
REV. No.	△	REV. DATE
REVISED		APPROVED
REMARKS		

4-M10 アイボルト  
4-M10 EYE BOLT



NP1 : マイクロ波制御盤  
( MICROWAVE MICROWAVE CONTROL PANEL )  
NP2 : 製造番号  
( SERIAL No. )

4-φ15 取付穴  
4-φ15 Mtg.HOLES



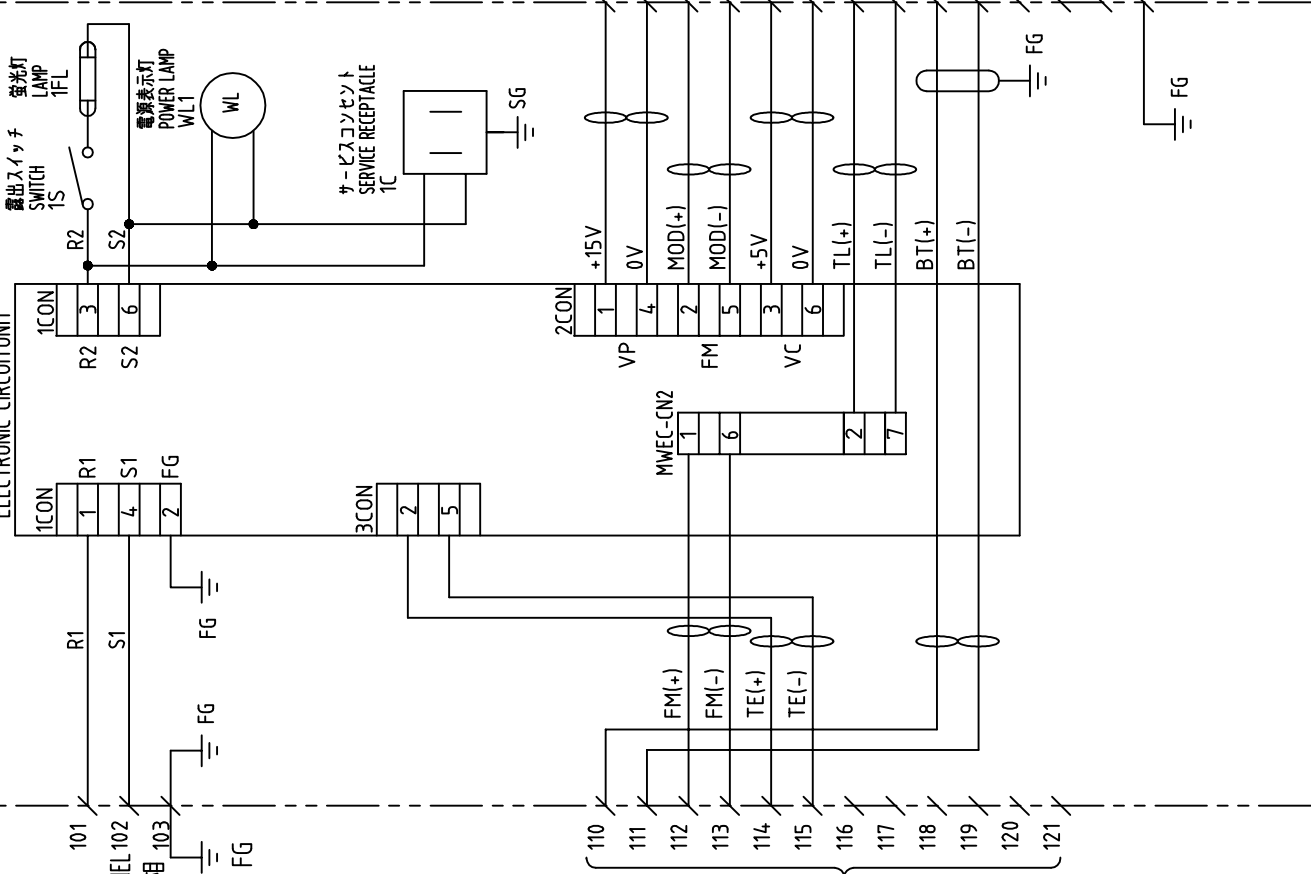
NAME OF PRODUCT	MICROWAVE CONTROL PANEL
TYPE	TDW-MF1P
CONNECT	OUTDOOR, DUST PROOF
CONFIGURATION	MICROWAVE ELECTRONIC CIRCUIT UNIT
MATERIAL	SS400
PAINTING COLOR	ZINC HOT DIP GALVANIZING
MASS	APPROX. 50kg
MANUFACTURER	MATSUSHIMA

SCALE 1:8.5	DATE 2012. 12. 26	APPROVED T. Shigeeda	TITLE マイクロ波ローフィルター制御盤 外形図 DIMENSION DIAGRAM OF MICROWAVE CONTROL PANEL
UNITS mm	DRAWN T. Iwamoto	CHECKED T. Iwamoto	
			DRAWING NO. <b>C31B0114</b>
			REV. No. △

1 2 3 4 5 6 7 8

マイクロ波プロフィールメータ制御盤  
MICROWAVE PROFILE METER CONTROL PANEL

マイクロ波電子回路ユニット  
ELECTRONIC CIRCUIT UNIT



信号処理盤より供給  
FROM SIGNAL PROCESSING PANEL 102  
AC100/110V 50/60Hz 单相  
0.3KVA

REV. No.	△	REV. DATE
REVISED		APPROVED
REMARKS		

SCALE 1:1	DATE 2012.12.26	APPROVED T. Shigeeda	TITLE マイクロ波制御盤 展開接続図 EXPANSION DIAGRAM OF MICROWAVE CONTROL PANEL
UNITS	DRAWN T. Iwamoto	CHECKED T. Iwamoto	
Matsushima Matsushima Measure Tech			DRAWING NO. C32B0065
			REV. No. △