
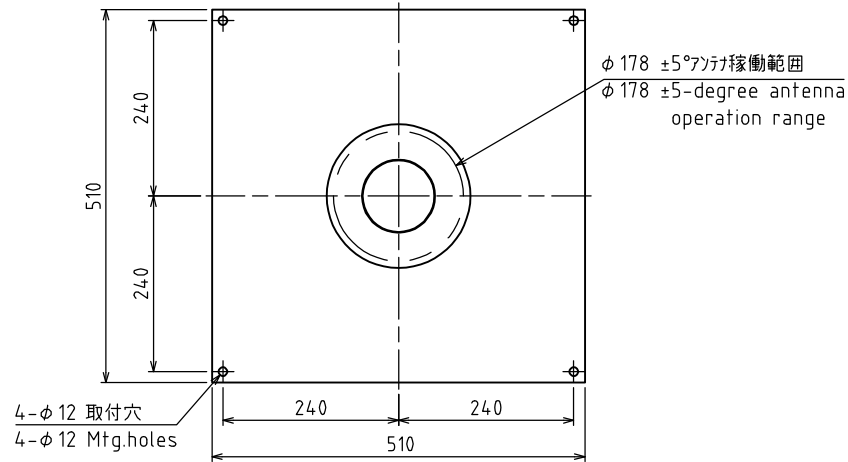
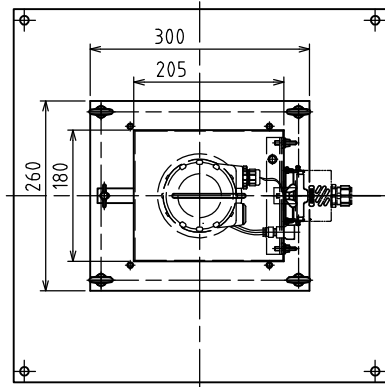


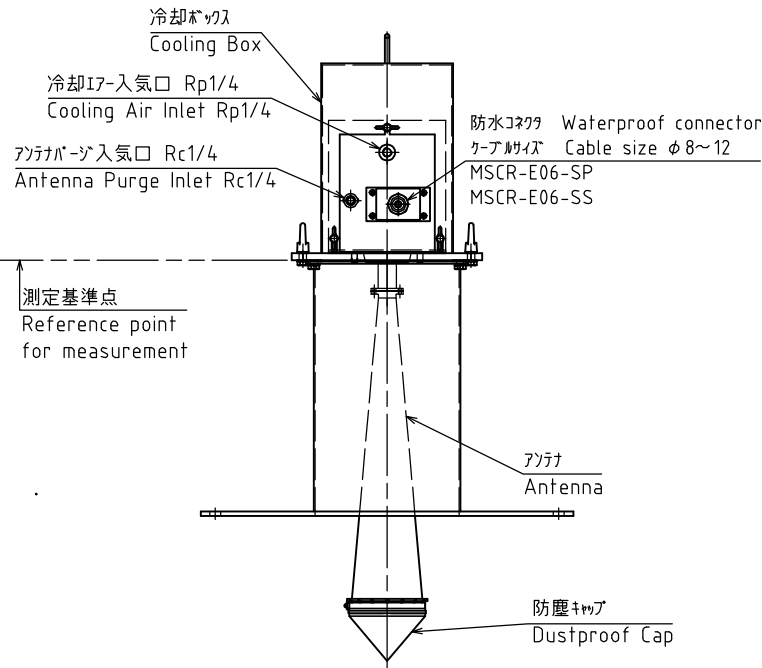
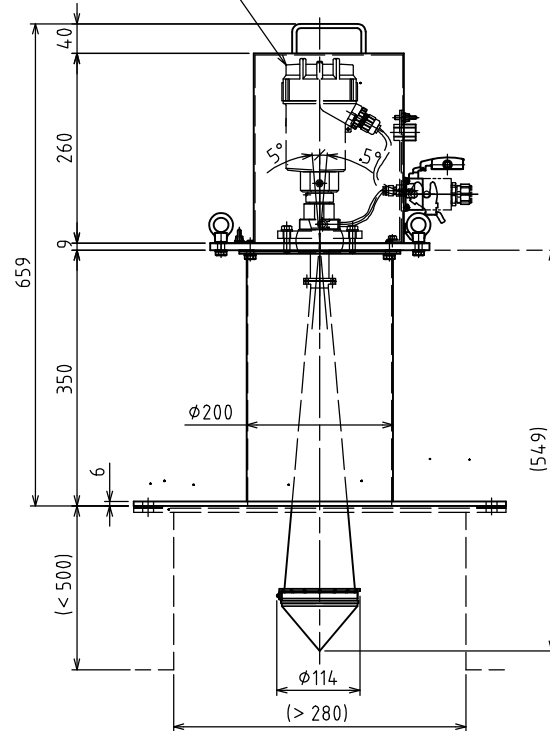
1. Application		Microwave Levelmeter for Torpedo Car			
2. TAG No.					
3. Type		MWLM-PR93			
4. Model		MWLM-PR93FT			
5. Power supply		AC 85~265V 50/60Hz			
6. Power consumption		800mW			
7. Mounting		Refer to C31B0221			
8. Dead zone		0.3m below the antenna			
9. Max. measuring distance		70.0m * from measurement reference zero point			
10. Transmitting frequency		Approx. 26GHz			
11. Transmitting cycle		every 83ms			
12. Beam angle (-3dB)		Approx. 8deg. (16deg including side beam)			
13. Resolution		1mm			
14. Allowable fluctuation rate		10cm/s			
15. Accuracy		≤1.2m:±20mm、 >1.2m:±10mm			
16. Temp. error		±0.03% / 10K , Max.±0.3%			
17. Ambient temp.	Housing	-40 to +80°C (with LCD: -20 to +60°C) (1h warm-up operation required under -20°C)			
	Antenna	-40 to +150°C			
18. Allowable pressure		10kPa			
19. Protection	Housing	IP66 (Housing cover and lead outlet must be closed.)			
	Antenna	IP67			
20. Lead outlet		1-G1/2 (Applicable cable size : φ8 to 12mm)			
21. Output signal		DC 4 to 20mA × 1 (Max. 650Ω resistive load at DC24V)			
22. Integration time		0 to 999s			
23. Mass		Approx. 25kg / pc.			
24. Quantity					
25. Accessories(Options)		LCD Adjustment unit (GRAPHIC COM4)		■YES	□NO
		Antenna cap		■YES	□NO
		Cooling box		■YES	□NO
		Antenna storage box		■YES	□NO
26. Measuring and Process Condition	Measuring span	1.0m (100%) to 11.1m (0%)			(※1)
	Material to measured	Molten Iron			
	Particle size				
	Level variation speed				
	Bulk density				
	Angle of repose				
	Material temperature				
	Ambient temperature				
	Process temperature				
	Process pressure				
	Fume				
	Moisture content				
	Condensation				
	Corrosive gas				
Foam					
Build-up					
Agitator					
(Remarks) ① Measuring range and accuracy specified above is of standard catalog specification and may change according to measurement conditions.					
② Make sure that lead outlet is securely fastened. Otherwise, it may cause malfunction due to ingress of water.					
③ No noise/surge and Ripple (P-P) 10% or below is required at instrumentation power applied.					
④ Such installation that tip of the antenna protrudes in vessel from edge of nozzle is recommended.					
⑤ Such protective measures to keep no freezing/condensation in electronics part is required.					
⑥ Note that some kind of gas or fume may penetrate PTFE cone part and cause malfunction. Please take special note especially for corrosive gas such as H <sub>2</sub> S, HCl, HF, etc.					
(※1) It shows factory setting parameters and may change at the site according to the actual measurement conditions.					
MESSRS		E.S.T.No. <b>FOR REFERENCE</b>		△	
ORDER.No.		ACCEPT.No.		△	
 Matsushima Measure Tech		TITLE		△	
		Specification of Microwave Level Meter		-	
		MWLM-PR93 (MWLM-PR93FT)		No.	DATE

TYPE : MWLM-PR93FT

据付面詳細図  
Mounting face detailed drawing



マイクロ波レベル計  
Microwave Level Meter



REV. No.	REV. DATE
REVISED	APPROVED
REMARKS	
<p>LCD 調整ユニット (オプション) LCD Adjustment unit (Option)</p>	
<p>端子台 HART I/Fチェック端子 Terminal HART I/F Check Terminal</p> <p>LCD調整ユニット用電源 Power supply for LCD Adjustment Unit</p> <p>M4アース端子 M4-Earth terminal</p> <p>冷却ボックス Cooling Box</p> <p>電源・信号用コネクタ Power・Signal Con.</p> <p>電源/電流出力 Power supply /Current output DC13~36V/DC4~20mA (※4) (※5)</p>	

- (※1) 必ず接地して下さい。(D種接地)  
Please insure connection to earth.
- (※2) ハウジングは310°範囲で回転します。  
The housing can be rotated by 310° without the use of any tools.
- (※3) 自在フランジ(約±5°)  
The swivelling holder with flange. (Approx.±5°)
- (※4) 推奨: 2線シールドケーブル  
Recommended cable: Two wire shield cable
- (※5) LCD調整ユニットを取り付けるときは16V~36Vにしてください。  
When mounting the LCD adjustment unit, set it from 16V to 36V.

SCALE 1:7	DATE May.11.2018	APPROVED T. Iwamoto	TITLE マイクロ波レベル計外形図 DIMENSION DIAGRAM OF MICROWAVE LEVEL METER
UNITS mm	DRAWN H. Matsuo	CHECKED H. Matsuo	
			DRAWING NO. <b>C31B0221</b>
			REV. No.