


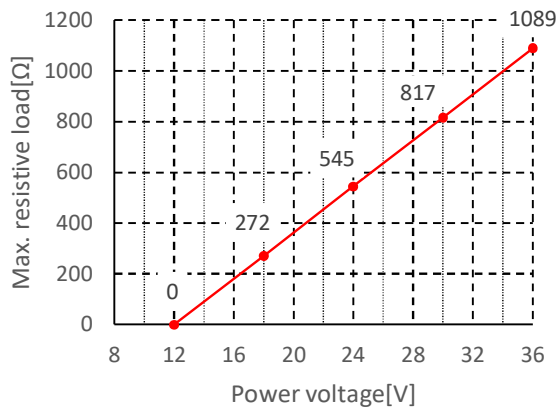
1. Model		MWLM-FM79-F03TN
2. Type		MWLM-FM79 / Ver.F03TN
3. Antenna		Lens antenna
4. Power supply	(※1)	DC 12V ~ DC36V
5. Power consumption		800mW
6. Mounting		Square flange (size 510mm X 510mm) fixed flange
7. Blind range	(※2)	0.3m (Under of flange)
8. Max. measuring range	(※2)	30m * from measurement reference zero point
9. Transmitting frequency		77GHz ~ 81GHz
10. Accuracy	(※2)	<1.1m:±10mm、≥1.1m:±3mm
11. Beam angle (-3dB)		Approx. 4°(8deg including side beam)
12. Measuring cycle time	(※3)	Approx. 0.5s ~ 4s (at DC24V) ※See Graph 2
13. Resolution		1mm
14. Allowable fluctuation rate		30cm/s
15. Analog error	(※6)	±10uA
16. Temperature error		±6.4uA/10°C, Max.±48uA
17. Temp. conditions	Ambient	(※4) -20°C ~ +80°C
	Process	-40°C ~ +200°C
18. Allowable pressure		Max. 490kPa
19. Protection		IP67 (Housing cover and lead outlet must be closed.)
20. Lead outlet		1-G1/2 (Applicable cable size : φ8mm ~ φ12mm)
21. Output signal		DC 4mA ~ DC 20mA
22. Resistive load	(※1)	Approx. 545Ω (at DC24V) ※See Graph 1
23. Wireless connection		Bluetooth 5.0
24. About cleaning purge	(※5)	Rc1/8, Flow rate : Approx. 200L/min (at 0.1MPa)
25. Mass		Approx. 4.3kg
26. Quantity		

※Level Transmitter for Topedo car

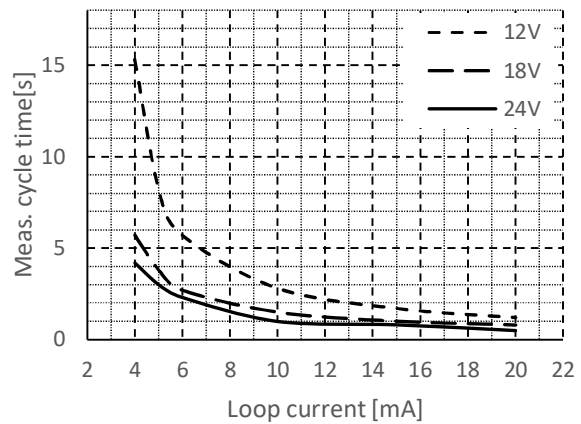
- Cooling Box (SS400, RESIN)
- Air Conditioner
- Waterproof connector type : MSCR-E06-SP/SS (Cable size 8 - 12dia)
- Heat resitant board

EST.No. 4230059	DWG.No.	△			
ACCEPT.No.		△			
	TITLE	△			
	Specification of Radar Level Transmitter	-	12.Jun.'23	H.S SEO	K.MAEDA
	MWLM-FM79 / Ver.F03TN	No.	DATE	CHECK'D	APP'D

- (※1) No noise/surge and Ripple (P-P) 10% or below is required at instrumentation power applied.
The resistive load depends on the supply voltage value. See Graph 1.
Make sure that the wiring load does not exceed the maximum resistive load of the power supply voltage used.
- (※2) Measuring range and accuracy specified above is of standard catalog specification and may change according to measurement conditions.
Accuracy does not include analog error and temperature error.
- (※3) The measurement cycle varies depending on the power supply voltage and output current.
See Graph 2.
- (※4) When the temperature exceeds +70°C, the LCD will turn off.
Such protective measures to keep no freezing/condensation in electronics part is required.
- (※5) The recommended purge pressure is tank internal pressure + 0.1 Mpa (approximately 200 L/min at 0.1 MPa).
If the deposits cannot be removed even with the recommended pressure, adjust the purge pressure.



Graph 1

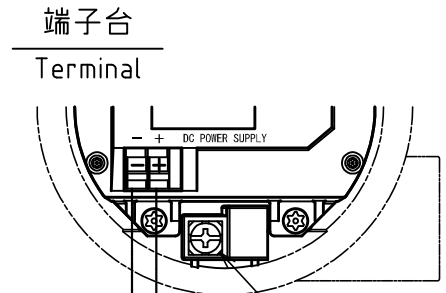


Graph 2

- (※6) Deviation in the current output due to digital/analogue conversion.

EST.No. 4230059	DWG.No.	△			
ACCEPT.No.		△			
	TITLE	△			
	Specification of Radar Level Transmitter	-	12.Jun.'23	H.S SEO	K.MAEDA
	MWLM-FM79 / Ver.F03TN	No.	DATE	CHECK'D	APP'D

TYPE	MWLM-FM79	REV. No.	△	REV. DATE
Ver.	F03TN	REVISED		APPROVED
端子台		REMARKS		

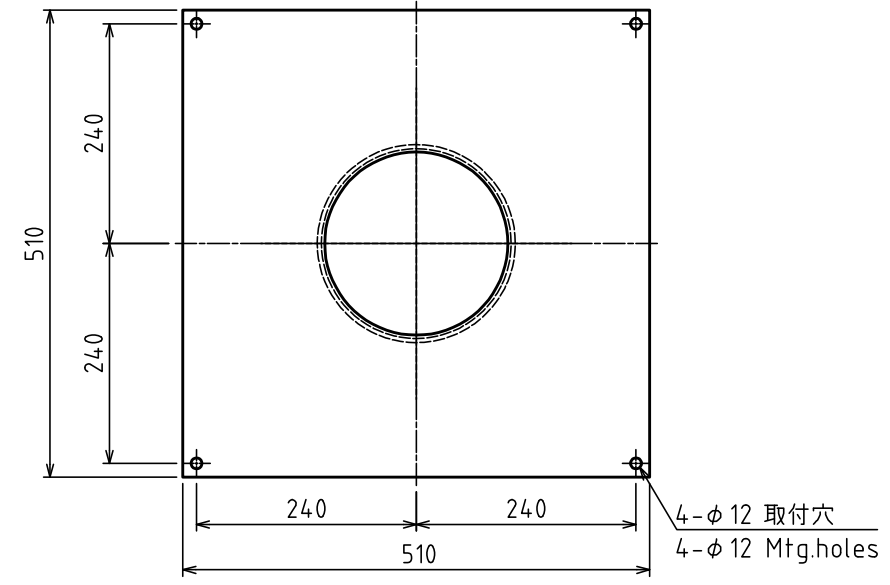
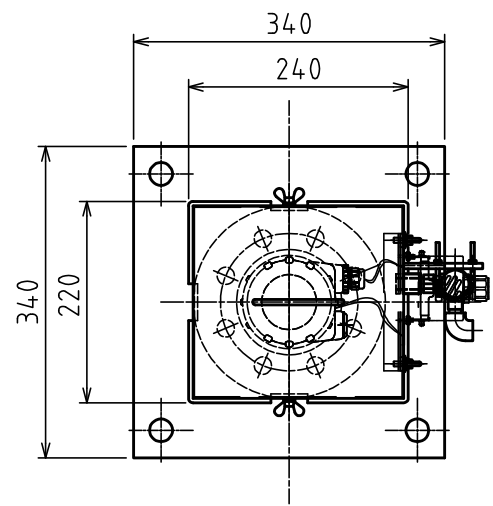


電源 / 電流出力
Power supply / Current output
DC12V~DC36V /
DC4mA~DC20mA (*2)

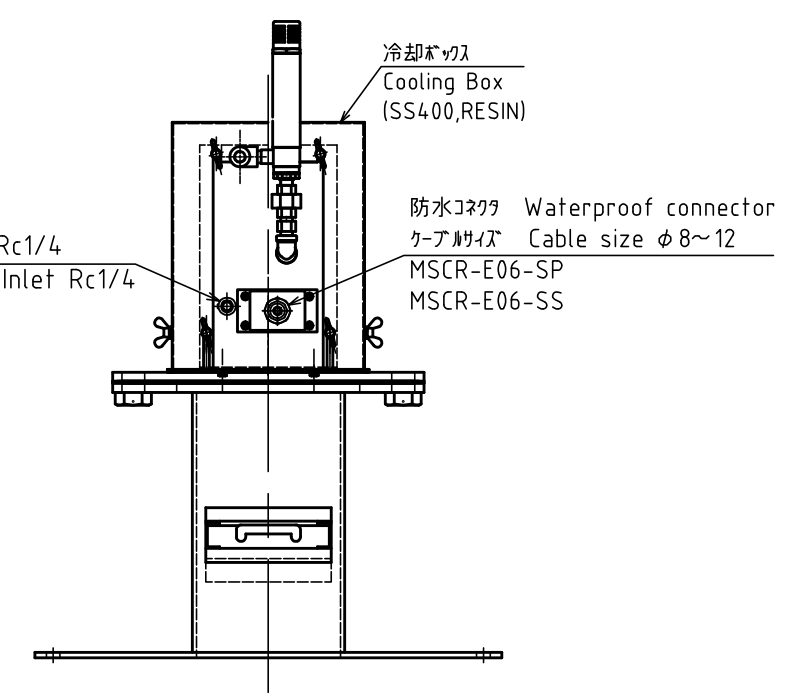
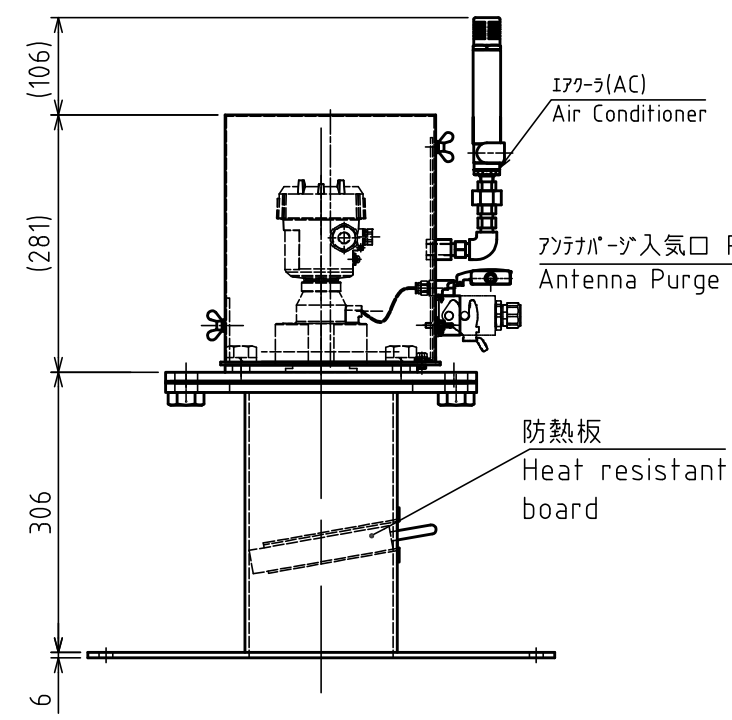
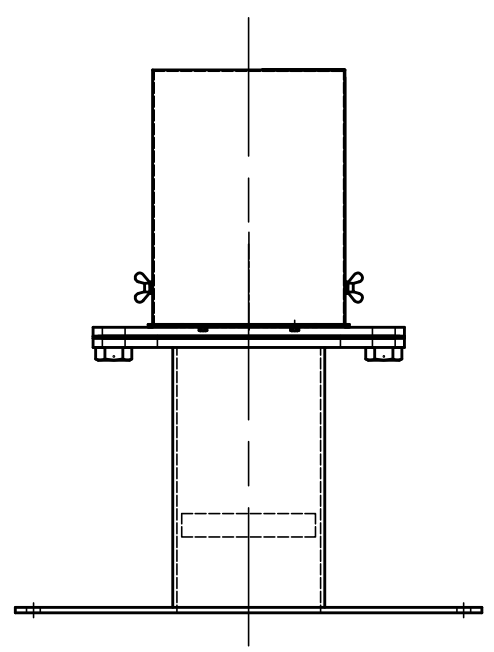
M4 アース端子
Earth terminal
M4 size

*1)必ず接地して下さい。(D種接地)
Please insure connection to earth. (D-class grounding)

*2)推奨: 2芯シールドケーブル
Recommended cable: Two wire shield cable



据付面詳細図
Mounting face detailed drawing



* Note

1. 冷却ボックスは、レベル計と調整用パソコン通信の為に材質が鉄板と樹脂板の構成となります。
The cooling box consists of steel and resin plates for communication between Level Meter and adjustment PC.

2. 新設計レベル計の為に、受注時に詳細寸法、構造が変更になる場合があります。
The detailed dimensions and structure are subject to change at order due to the new designed Level Meter,

Mass: Approx.50kg

SCALE 1:8	DATE Jun. 8. 2023	APPROVED T. Iwamoto	TITLE レーダー式ミリ波レベル計外形図 DIMENSION DIAGRAM OF MICROWAVE LEVELMETER
UNITS mm	DRAWN D. Inoue	CHECKED D. Inoue	DRAWING NO. C31B0322
			REV. No. △