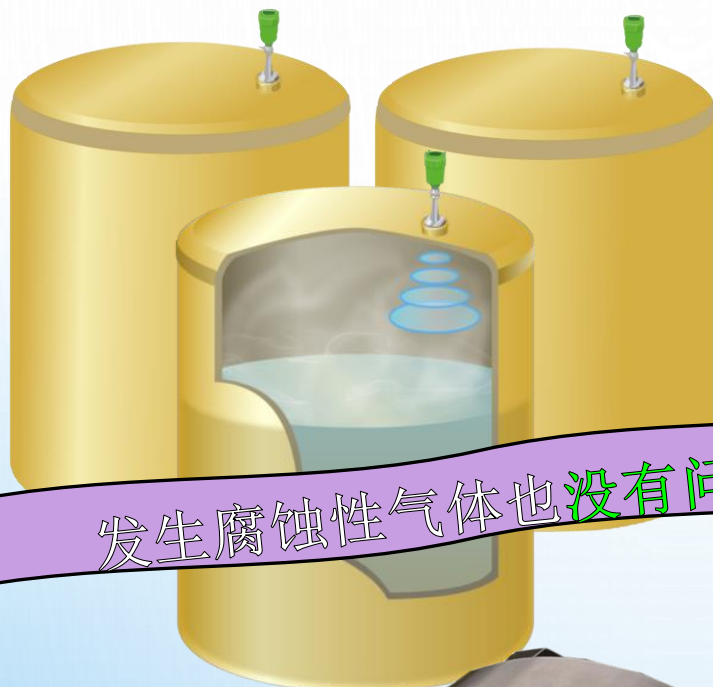


发生腐蚀性气体也能安心！

液体专用微波料位计
~ 耐腐蚀型的介绍 ~



发生腐蚀性气体也没有问题！



●特征

为可装备PTFE套的构造，发生腐蚀性气体的桶槽也能使天线不受腐蚀，安定的测量料位。

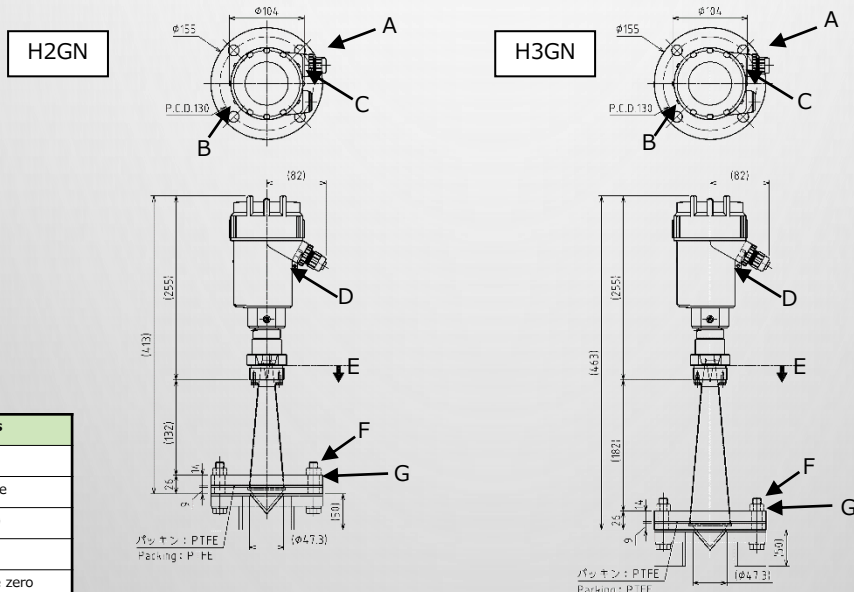
※安装短管的长度需在50mm以下。
50mm以上的短管会造成较强的影响。

●规格

Model	MWLM-PR26H2GN	MWLM-PR26H3GN
Antenna Type	Flat Antenna type	
Power Supply	DC 20~32 V	
Power Consumption	704mW	
Mounting	Flange Mounting : JIS5K65A	
Dead Zone	0.5m(1.64ft) below the antenna	0.3m(0.98ft) below the antenna
Max Measurable Distance *	20.0m(65ft)	35.0m(114ft)
Transmitting Frequency	Approx. 26GHz	
Transmitting Cycle	Every 83ms	
Beam Angle (-3dB)	Approx. 18deg. (approx. 36deg. including side beam)	Approx. 14deg. (approx. 28deg. including side beam)
Resolution	1mm (0.03in)	
Allowable Level Movement Rate	10cm/s	
Accuracy	Repeatability	Within 2m(6.56ft) or less : ±30mm(1.18in), Over 2.0m(6.56ft) or more : 20mm(0.78in) or ±0.04% of measuring range(Whichever is larger)
	Temp. Deviation	
Ambient Temperature	Housing	-40~+80°C(-40+176°F) (With LCD : -20~+60°C) (-4~+140°F) It requires one hour warm up operation in case of the temperature -20°C(-4°F) or less.
	Antenna	
Allowable Pressure (Max.)	100kPa	
Material	Housing	ADC
	Antenna	SUS304
Protection	Housing	IP66 (Housing cover and lead outlet must be firmly closed)
	Antenna	IP67
Lead Outlet	1-G1/2 (Applicable cable size : φ8~12mm(0.31 to 0.47in))	
Output Signal	DC4~20mA×1 (In case of 24VDC power supply, max. 499ohm Load resistance) HART communication	
Integral Time	0~999s	
Mass	Approx. 5.0kg	Approx. 5.5kg
Accessories (Option)	・ LCD adjustment unit (GRAPHIC COM4) ・ Data communication cable ・ PC adjustment software (M-DTM)	

* : Distance from Measuring reference zero point

●平板天线外型图 mm



Name of the parts	
A	Lead outlet : G1/2
B	4-φ15 Mounting hole
C	Earth Terminal (M4)
D	Housing
E	Measuring reference zero point
F	JIS5K65A Flange Antenna
G	PTFE cap

Caution

- Read the instructions to ensure correct and suitable application of the products.
- Contact our nearest sales office when using our products for any systems used in situation which may be life threatening.

代理店

松岛计测技术

搜寻

E-Mail: info@matsushima-m-tech.com