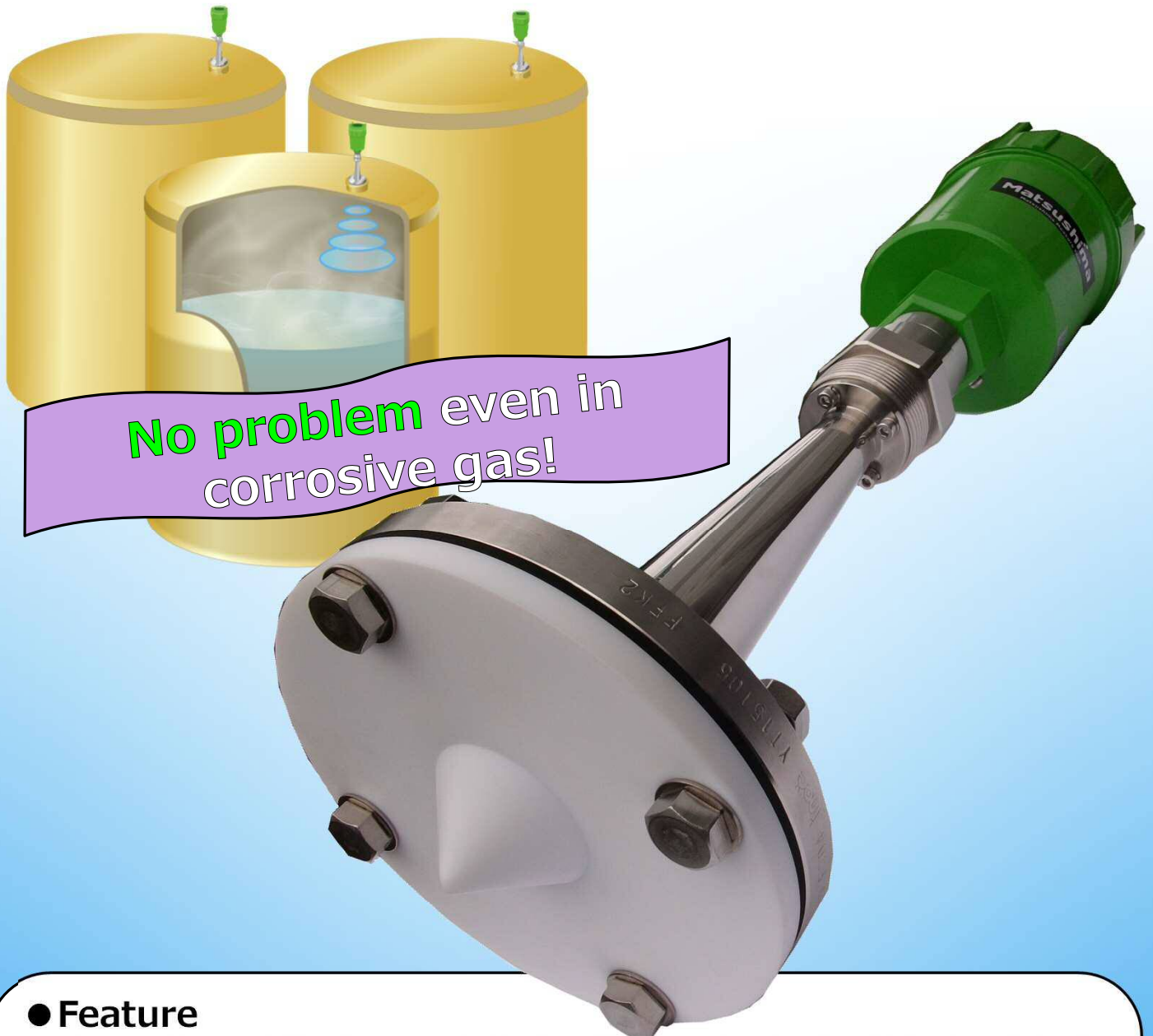


Measurable in corrosive gas!

Radar Level Transmitter for liquid
~ **Corrosion resistance type** ~



No problem even in
corrosive gas!

● Feature

The antenna part is installed outside the tank and the PTFE plate isolates from the process condition. This construction results in stable level measurement without corrosion even in corrosive gas application.

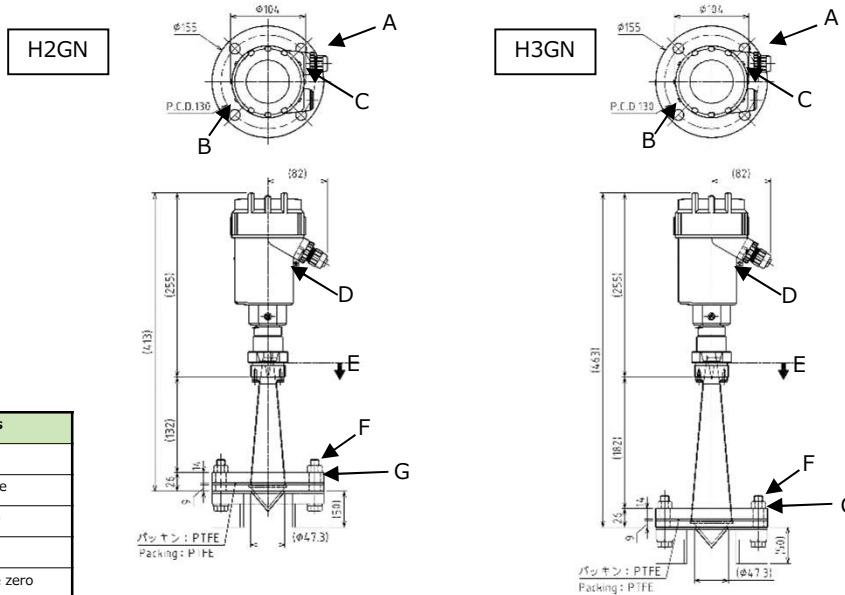
※ The length of the mounting short piping (nozzle) should be 50 mm or less. In case of over 50 mm piping, the higher noise generated by the short pipe is expected to influence reliable level measurement.

● Specifications

Model	MWLM-PR26H2GN	MWLM-PR26H3GN
Antenna Type	Flat Antenna type	
Power Supply	DC 20~32V	
Power Consumption	704mW	
Mounting	Flange Mounting : JIS5K65A	
Dead Zone	0.5m(1.64ft) below the antenna	0.3m(0.98ft) below the antenna
Max Measurable Distance *	20.0m(65ft)	35.0m(114ft)
Transmitting Frequency	Approx. 26GHz	
Transmitting Cycle	Every 83ms	
Beam Angle (-3dB)	Approx. 18deg. (approx. 36deg. including side beam)	Approx. 14deg. (approx. 28deg. including side beam)
Resolution	1mm (0.03in)	
Allowable Level Movement Rate	10cm/s	
Accuracy	Repeatability	Within 2m(6.56ft) or less : ±30mm(1.18in), Over 2.0m(6.56ft) or more : 20mm(0.78in) or ±0.04% of measuring range(Whichever is larger)
	Temp. Deviation	0.06%/10K
Ambient Temperature	Housing	-40~+80°C(-40+176°F) (With LCD : -20~+60°C) (-4~+140°F) It requires one hour warm up operation in case of the temperature -20°C(-4°F) or less.
	Antenna	-40~+150°C(-40~+302°F)
Allowable Pressure (Max.)	100kPa	
Material	Housing	ADC
	Antenna	SUS304
Protection	Housing	IP66 (Housing cover and lead outlet must be firmly closed)
	Antenna	IP67
Lead Outlet	1-G1/2 (Applicable cable size : φ8~12mm(0.31 to 0.47in))	
Output Signal	DC4~20mA×1 (In case of 24VDC power supply, max. 499ohm Load resistance) HART communication	
Integral Time	0~999s	
Mass	Approx. 5.0kg	Approx. 5.5kg
Accessories (Option)	<ul style="list-style-type: none"> • LCD adjustment unit (GRAPHIC COM4) • Data communication cable • PC adjustment software (M-DTM) 	

* : Distance from Measuring reference zero point

● Flat Antenna Type Dimension mm



Name of the parts	
A	Lead outlet : G1/2
B	4-φ15 Mounting hole
C	Earth Terminal (M4)
D	Housing
E	Measuring reference zero point
F	JIS5K65A Flange Antenna
G	PTFE cap

Caution

- Read the instructions to ensure correct and suitable application of the products.
- Contact our nearest sales office when using our products for any systems used in situation which may be life threatening.

Distributor

Matsushima Measure Tech

Search

E-Mail: info@matsushima-m-tech.com